

Opera-2d Machines Environment

The most important thing we build is trust



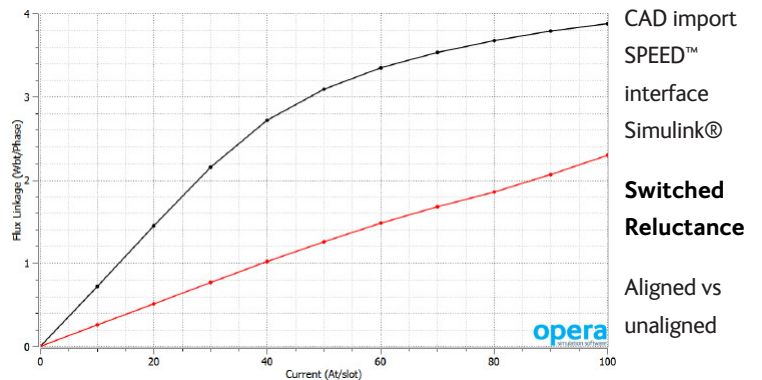
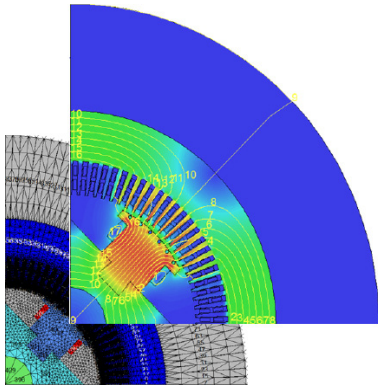
Opera-2d Machines Environment

The most important thing we build is trust

A powerful interface and analysis tool for motor and generator designers

Select from several machine types, including:

- Induction (Asynchronous) Machines
- Brushless DC
- Permanent Magnet Machines
- PM External Rotor
- Wound Synchronous Machines
- Switched Reluctance



Accelerated design and optimization

Build, solve and post-process a complete machine from scratch in minutes!!
Choose from comprehensive selection of standard analyses
Optimizer integration for a complete automated design cycle

Integrated with industry standard design tools

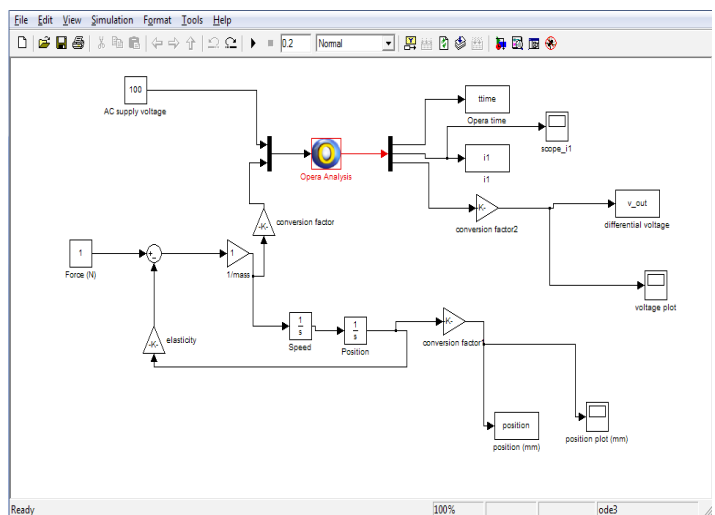
Customizable

Written in Opera command language, enabling full customization:

- o Edit geometric features
- o Add new machine variants
- o Add post-processing calculations
- o Add new analyses

Compatible with all related solvers/modules:

- o Statics Electromagnetics (Includes nonlinear materials)
- o Dynamics Electromagnetics (harmonics and motional coupled)
- o Hysteresis/(De-)magnetization
- o Thermal
- o Stress
- o Optimizer



Cobham Technical Services UK

Network House, Langford Locks,
Kidlington, Oxfordshire, OX5 1LH
T: +44 (0)1865 370151
F: +44 (0)1865 370277
E: vectorfields.info@cobham.com

USA

1700 N Farnsworth Ave,
Aurora, IL 60505, USA.
T: +1 (630) 851 1734
F: +1 (630) 851 2106
E: vectorfieldsinc.info@cobham.com



operaFEA.com